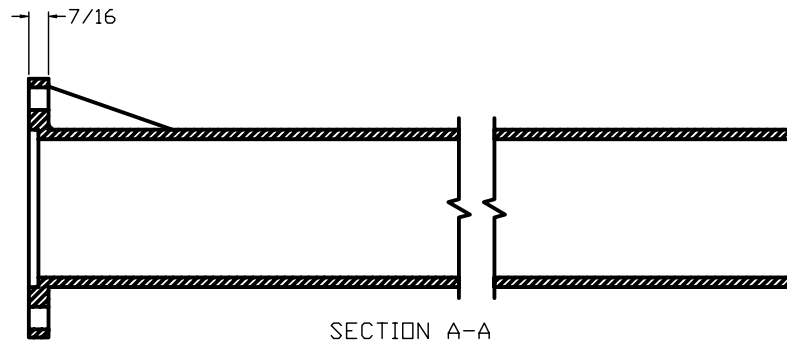
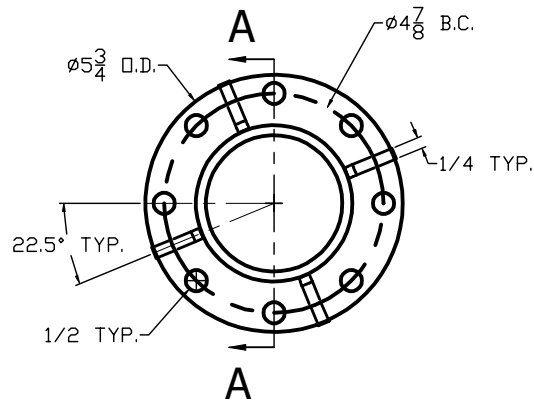
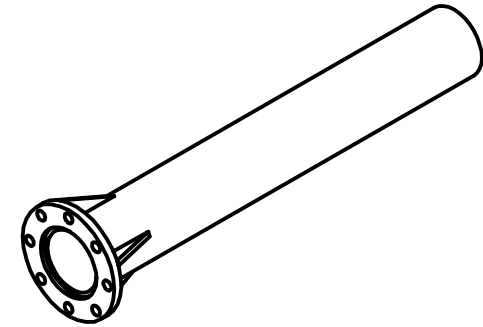
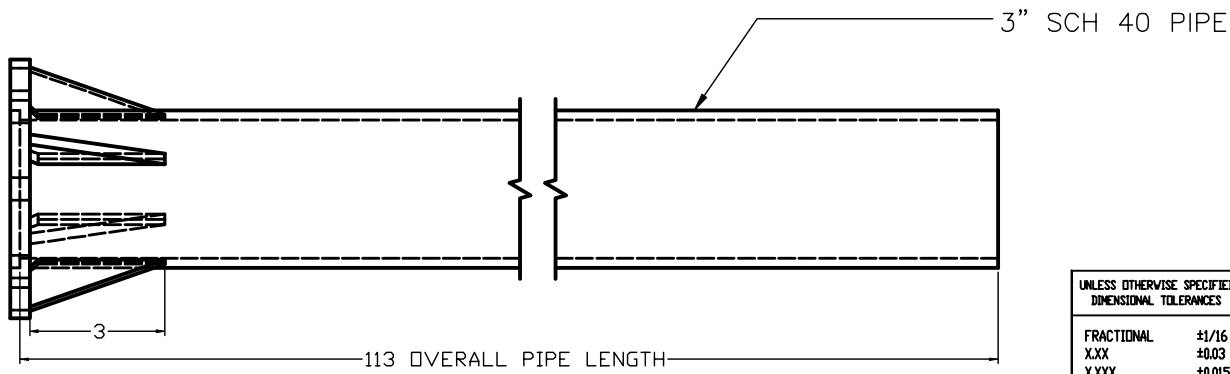


SALES DRAWING

SALES DRAWING



SECTION A-A  
SCALE 1/2



UNLESS OTHERWISE SPECIFIED	
DIMENSIONAL TOLERANCES	
FRACTIONAL	±1/16
X.XX	±0.03
X.XXX	±0.015
ANGULAR	±1°

THIS PRINT, PROPERTY OF SALCO PRODUCTS INC., CONTAINS PROPRIETARY INFORMATION AND MUST NOT BE COPIED, REPRODUCED, OR USED IN WHOLE OR IN PART WITHOUT THE WRITTEN PERMISSION OF SALCO PRODUCTS INC.



A	ACC	11-14-05	ADDED PART INTO THE SYSTEM
REV	BY	DATE	DESCRIPTION
			2D
<b>SALCO PRODUCTS, INC.</b>			
DRAWN BY: VD	CHKD BY:	SCALE: 1:2	APPROVAL DATE: 11-14-05
MATERIAL: 6061-T6 OR 6063-T6 ALUMINUM			
PART NAME: STAND PIPE 3"			
PROJECT #	010215	PROTOTYPE AND DATE:	APPROVED FOR PRODUCTION: ACC
DRAWING #	C21024	PART #	PD3ASP110